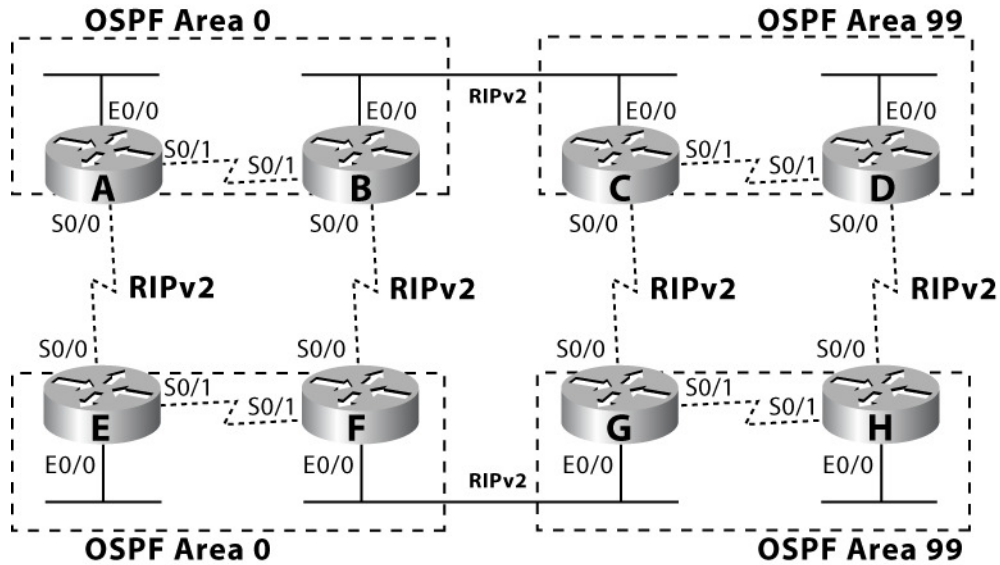


# Route Redistribution

## Topology



## Objectives

- Interconnect the lab equipment to create the specified topology.
- Implement the IP addressing scheme as outlined by the instructor.
- Implement RIPv2 and OSPF as illustrated in the topology diagram.
- Ensure that the most secure form of authentication is used between all dynamic routing peers.
- Ensure that every router is able to ping every IP address within the lab internet.

## New Commands

**redistribute** *routing-protocol* **metric** *metric* [**metric-type** *metric-type*] [**subnets**]

**summary-address** *network* *netmask*